

## Single Valve

针阀式喷嘴浇口直接应用于产品表面，实现完美注塑  
有效节省模具空间，加工、安装方便，容易操作

Valve type nozzle can deliver direct injection on product surface  
Easy tooling and compact space for install

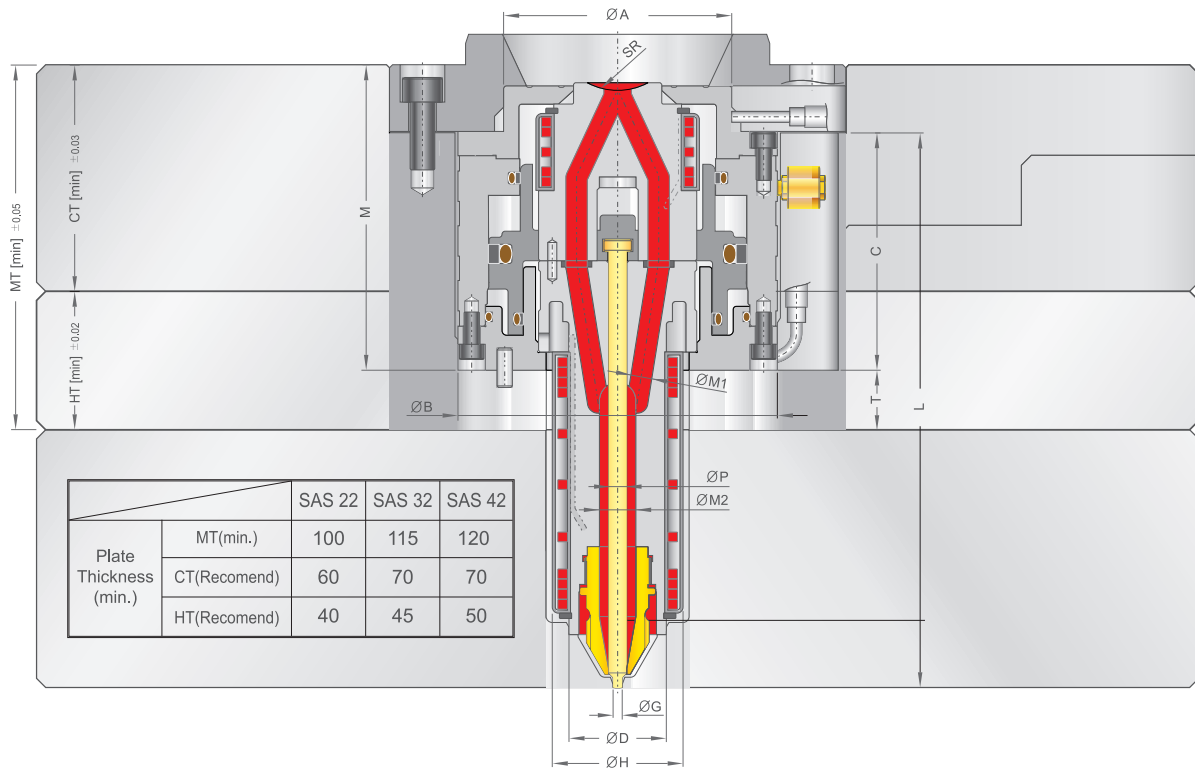


单点、针阀式喷嘴使用方便  
占用模具空间小，操作简单  
广泛的应用各种工程塑料

Valve type single drop nozzle  
Easy to apply and maintenance  
Wide application for engineering plastic

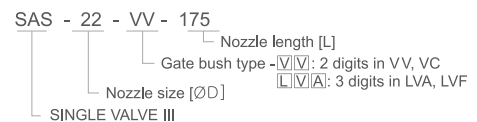


## Structure and specification



- SINGLE VALVE III has 3 standardized sizes and each size has various gate diameters.
- Nozzle size is labelled after the Type Name (ex. SAS 22 : SINGLE VALVE III 22) and determines the injection volume of the nozzle.

### ● How to read nozzle model



Unit : mm

Division	SINGLE VALVE III 22	SINGLE VALVE III 32	SINGLE VALVE III 42
Model number	SAS-22-□□□-□□□	SAS-32-□□□□-□□□□	SAS-42-□□□□-□□□□
System	Valve	Valve	Valve
Injection volume	Up to 240 gr	Up to 1000 gr	Over 1000 gr
Ø A	65	75	85
SR	21(STD) / Customer Spec.		
M	80 ~ 90	93 ~ 103	98 ~ 108
C	73.5	78.5	80.5
T(min.)	10	12	12
L	Refer to page 4		
Ø B	90	105	120
Ø P	4	6	10
Ø M1	5.5	7	10
Ø M2	8	12	18
Ø D	22	32	42
Ø H	37	47	58
Ø G	1.5 / 1.8 / 2.0 / 2.5	2.5/3.0/3.5/4.0	5.0 / 6.0 / 7.0 / 8.0